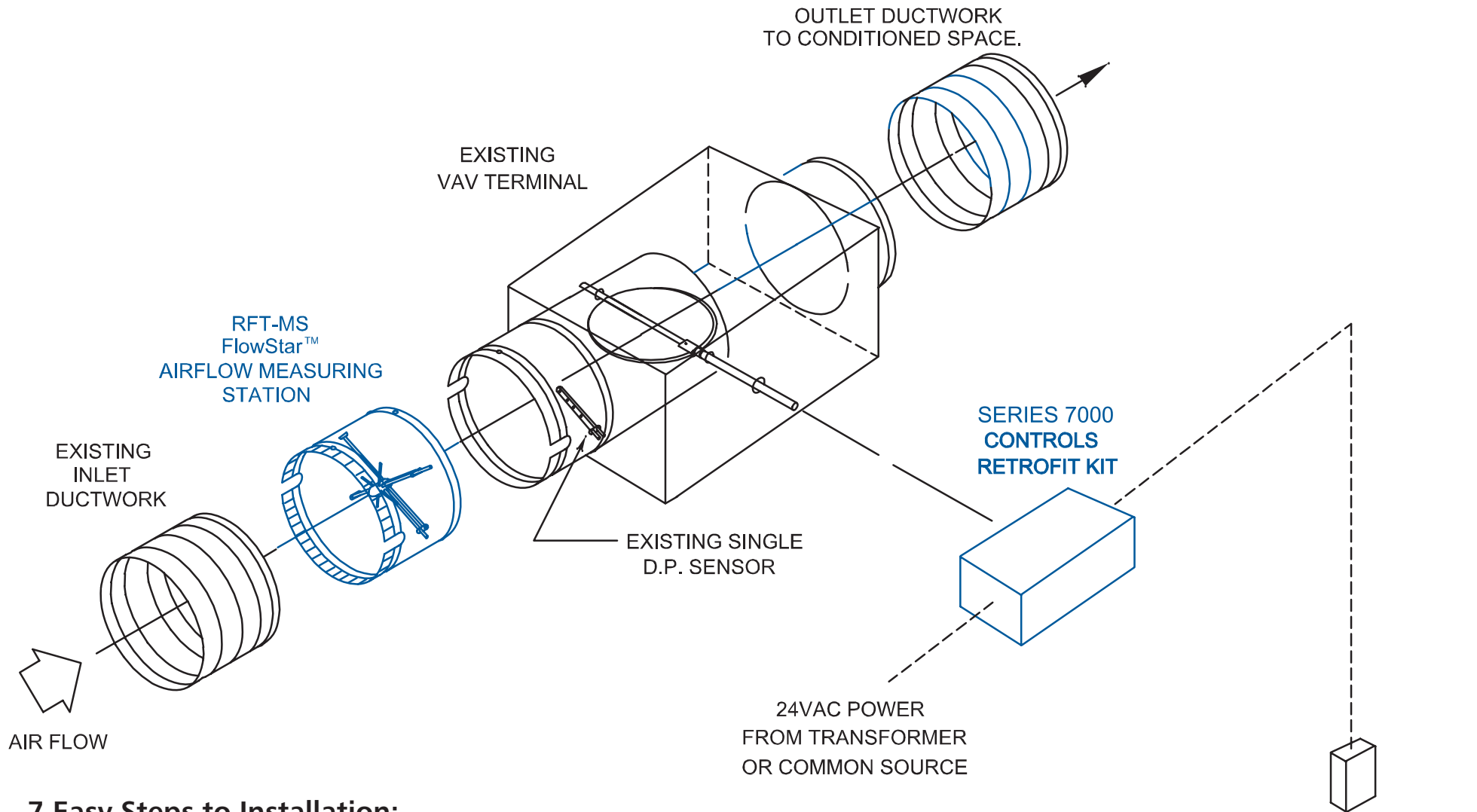


# ENVIRO-TEC Retrofit Packages

(RFT-MS Measuring Station and Series 7000 Controls)



## 7 Easy Steps to Installation:

1. Disconnect existing pneumatic controls from the VAV terminal to be upgraded.
2. Disconnect inlet ductwork.
3. Install the RFT-MS measuring station in series with the existing VAV box.
4. Reconnect the inlet ductwork.
5. Install the Series 7000 Controls Retrofit Kit as shown in the installation documents.
6. Connect the FlowStar™ sensor to the retrofitted controls.
7. Install electronic space sensor in place of existing pneumatic thermostat.